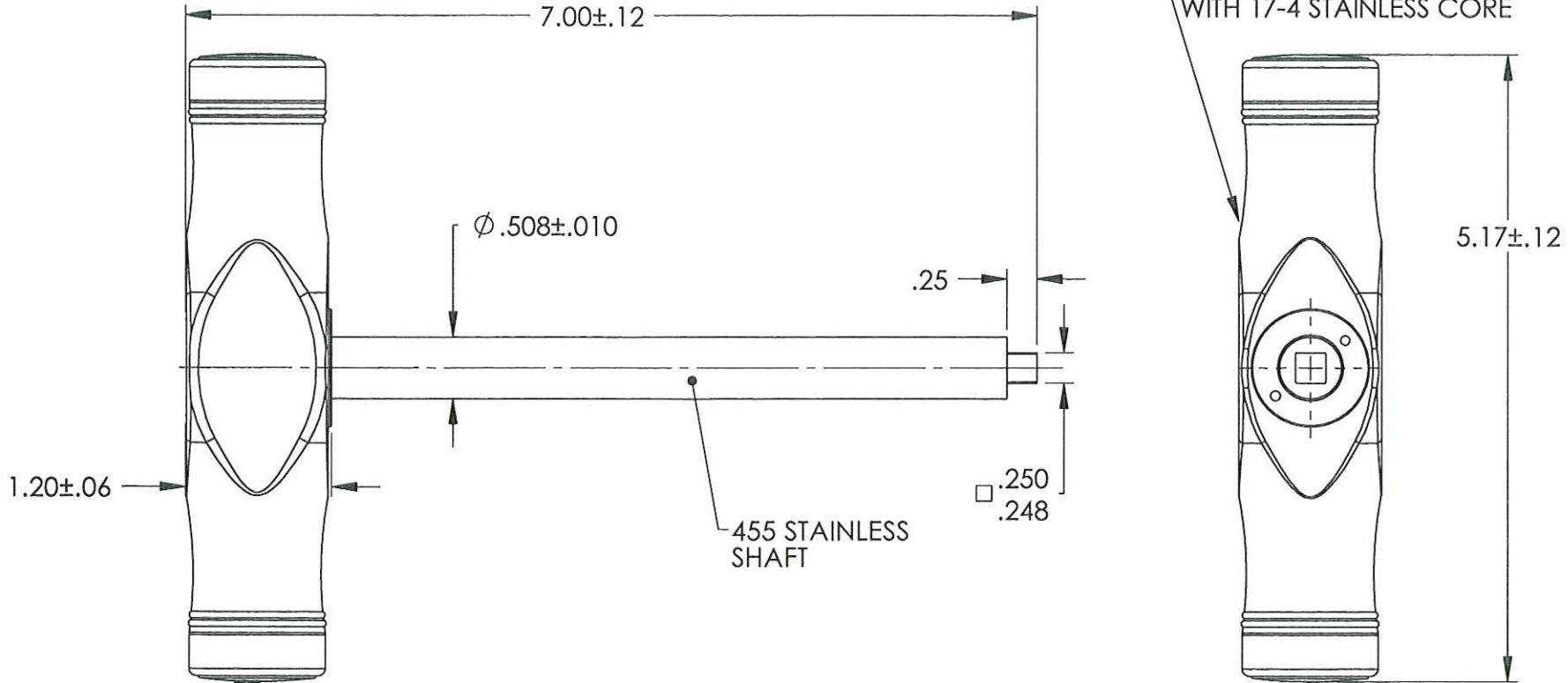


ILLUSTRATION DRAWING REFERENCE ONLY

REVISIONS			
REV.	DESCRIPTION	DATE	APPROVED
A	ECN 8177	6/26/08	GDD



CUSTOMER APPROVAL

APPROVED BY: _____
DATE: _____

THE INFORMATION CONTAINED IN THIS DRAWING IS THE SOLE PROPERTY OF GAUTHIER BIOMEDICAL, INC., ANY REPRODUCTION IN PART OR WHOLE WITHOUT THE WRITTEN PERMISSION OF GAUTHIER BIOMEDICAL, INC. IS PROHIBITED.

INSPECTION SYMBOLS

-  CRITICAL
-  AQL

UNLESS OTHERWISE SPECIFIED
DIMENSIONS ARE IN INCHES
TOLERANCES ARE:
FRACTIONS DECIMALS ANGLES
±1/32 .X ±.020 ±1°
.XX ±.010
.XXX ±.005
.XXXX ±.0005



Gauthier Biomedical, Inc.

GAUTHIER BIOMEDICAL, INC.
1235 NORTH DAKOTA DRIVE, SUITE G
GRAFTON, WI 53024
(262) 546-0010 ph. (262) 546-0011 fax
E-mail: engineering@gauthierbiomedical.com

MATERIAL SEE DETAILS

HEAT TREAT

FINISH

PASSIVATE

APPROVALS	DATE
DRAWN MCS	1/23/08
CHECKED MCS	6/26/08
APPROVED MCS	6/26/08
DO NOT SCALE DRAWING	
ANODIZE	

DESCRIPTION
TORQUE LIMITER
BALANCED SILICONE T-HANDLE
W/BLANK EXTRA LONG SHAFT

SIZE PART NUMBER REV.
A G412154 (CC) A
SCALE 0.75:1 CAD FILE: G412154 (cc) SHEET 1 OF 2

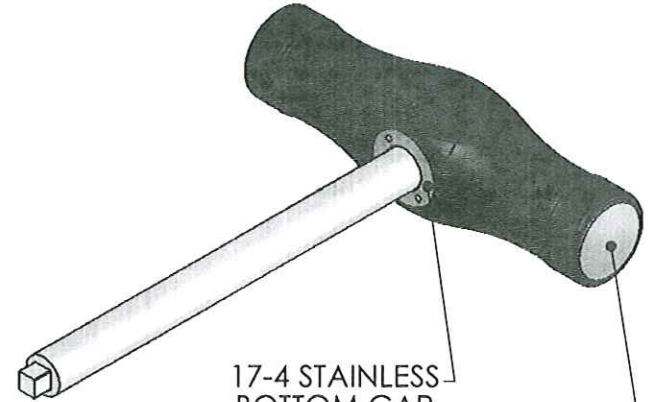
ILLUSTRATION DRAWING REFERENCE ONLY

REVISIONS			
REV.	DESCRIPTION	DATE	APPROVED
A	ECN 8177	6/26/08	GDD

17-4 STAINLESS
TOP CAP



17-4 STAINLESS
BOTTOM CAP



300 SERIES STAINLESS
END CAPS

CUSTOMER APPROVAL

APPROVED BY: _____

DATE: _____

THE INFORMATION CONTAINED IN THIS DRAWING IS THE SOLE PROPERTY OF GAUTHIER BIOMEDICAL, INC., ANY REPRODUCTION IN PART OR WHOLE WITHOUT THE WRITTEN PERMISSION OF GAUTHIER BIOMEDICAL, INC. IS PROHIBITED.

INSPECTION SYMBOLS

 CRITICAL

 AQL

UNLESS OTHERWISE SPECIFIED
DIMENSIONS ARE IN INCHES
TOLERANCES ARE:
FRACTIONS DECIMALS ANGLES
±1/32 .X ±.020 ±1°
.XX ±.010
.XXX ±.005
.XXXX ±.0005



Gauthier Biomedical, Inc.

GAUTHIER BIOMEDICAL, INC.
1235 NORTH DAKOTA DRIVE, SUITE G
GRAFTON, WI 53024
(262) 546-0010 ph. (262) 546-0011 fax
E-mail: engineering@gauthierbiomedical.com

MATERIAL SEE DETAILS	APPROVALS	DATE	DESCRIPTION
HEAT TREAT	DRAWN MCS	1/23/08	TORQUE LIMITER
FINISH	CHECKED MCS	6/26/08	BALANCED SILICONE T-HANDLE
PASSIVATE	APPROVED MCS	6/26/08	W/BLANK EXTRA LONG SHAFT
	DO NOT SCALE DRAWING		
	ANODIZE		
	SIZE A	PART NUMBER G412154 (CC)	REV. A
	SCALE 1:1	CAD FILE: G412154 (CC)	SHEET 2 OF 2