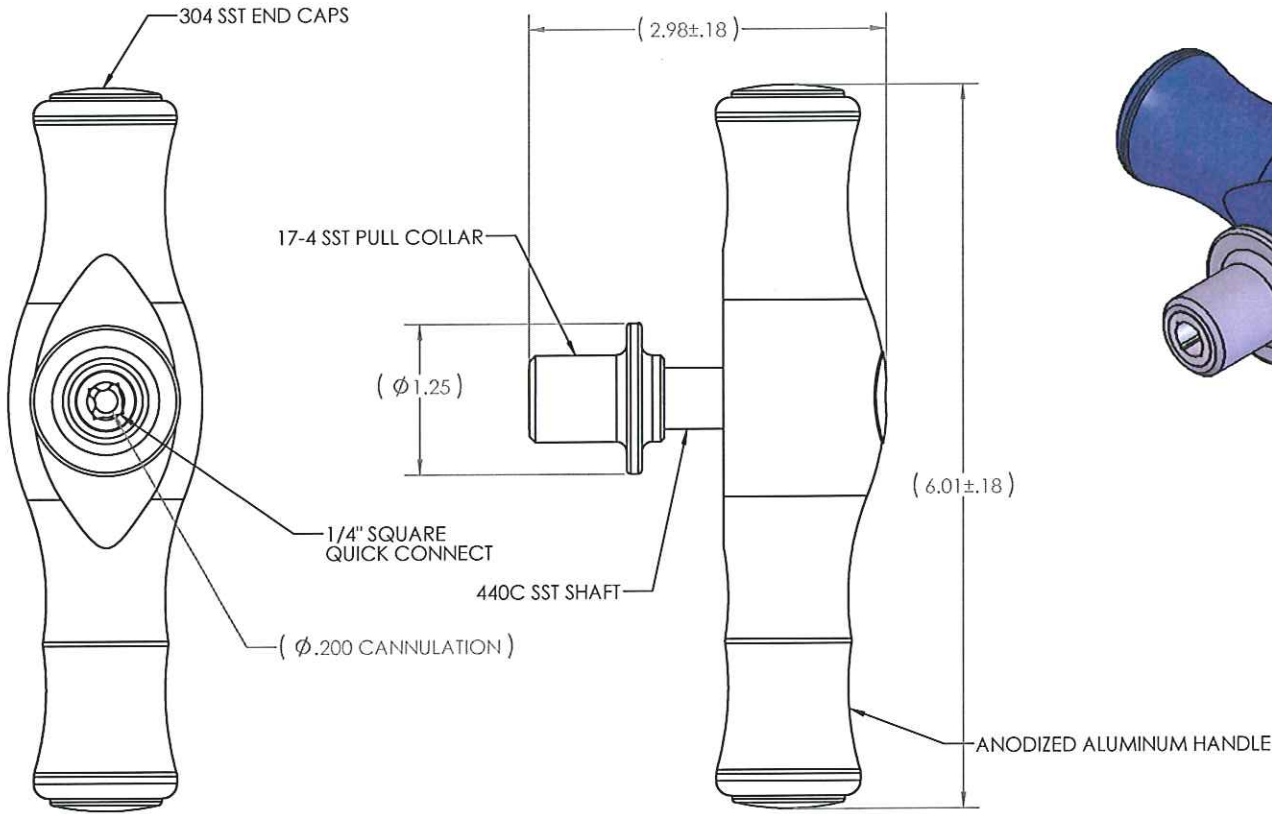


ILLUSTRATION DRAWING -- REFERENCE ONLY

REVISIONS			
REV.	DESCRIPTION	DATE	APPROVED



THE INFORMATION CONTAINED IN THIS DRAWING IS THE SOLE PROPERTY OF GAUTHIER BIOMEDICAL, INC. ANY REPRODUCTION IN PART OR WHOLE WITHOUT THE WRITTEN PERMISSION OF GAUTHIER BIOMEDICAL, INC IS PROHIBITED.

CUSTOMER APPROVAL
 APPROVED BY: _____
 DATE: _____

INSPECTION SYMBOLS
 CRITICAL
 AQL

UNLESS OTHERWISE SPECIFIED
 DIMENSIONS ARE IN INCHES
 TOLERANCES ARE:
 FRACTIONS DECIMALS ANGLES
 +1/32 .005 .01°
 .XX ±.010
 .XXX ±.005
 .XXXX ±.0005

gb
Gauthier Biomedical
 APPROVALS
 DRAWN RFM 5/22/09
 CHECKED RCB 4/2/09
 APPROVED RCB 6/2/09
 DO NOT SCALE DRAWING
 ANODIZE

GAUTHIER BIOMEDICAL, INC.
 1235 North Dakota Drive, Suite G
 Grafton, WI 53024
 (262) 546-0010 ph. (262) 546-0011 fax
 E-mail: engineering@gauthierbiomed.com

DESCRIPTION
 OFFSET T-HANDLE TORQUE WR.
 1/4\"/>

SIZE PART NUMBER
B G403150_HT (cc) REV. NC
 SCALE 1:1 CAD FILE: G403150-HT (cc) SHEET 1 OF 1