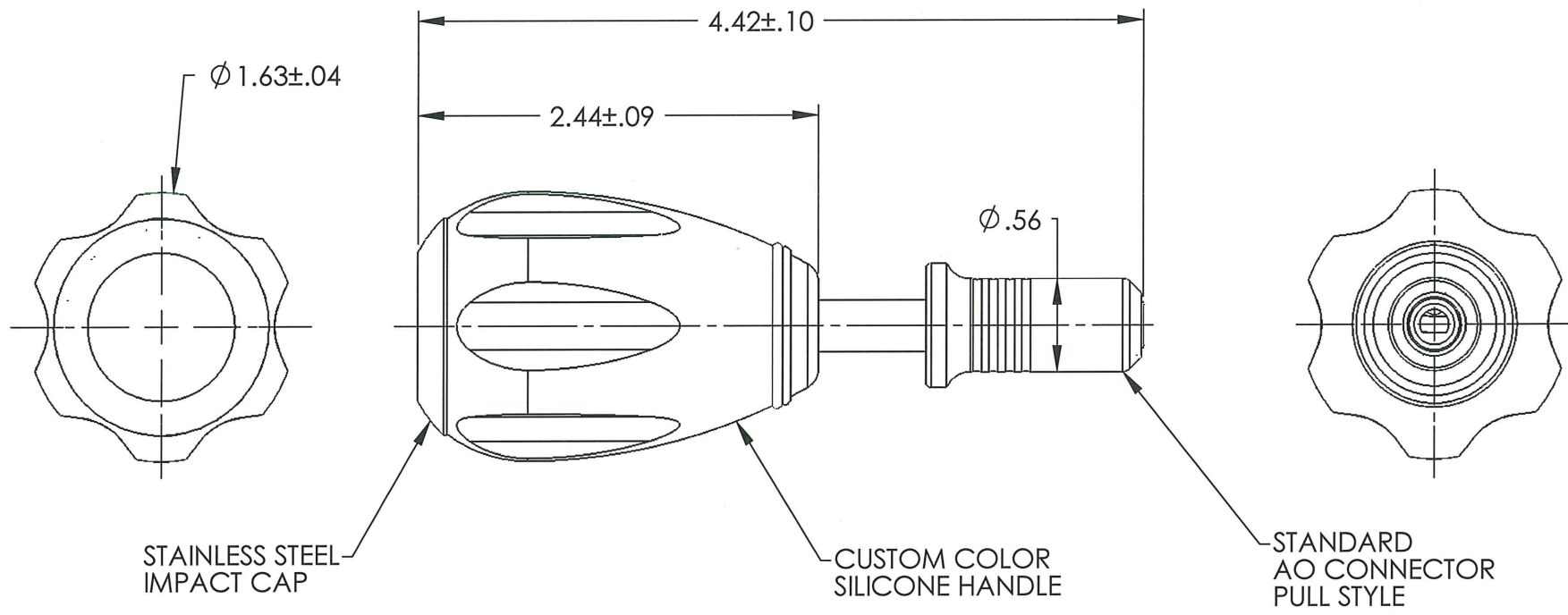


ILLUSTRATION DRAWING REFERENCE ONLY

REVISIONS			
REV.	DESCRIPTION	DATE	APPROVED
A	ECN 7027	2/13/07	MCS



CUSTOMER APPROVAL

APPROVED BY: _____

DATE: _____

THE INFORMATION CONTAINED IN THIS DRAWING IS THE SOLE PROPERTY OF GAUTHIER BIOMEDICAL, INC., ANY REPRODUCTION IN PART OR WHOLE WITHOUT THE WRITTEN PERMISSION OF GAUTHIER BIOMEDICAL, INC. IS PROHIBITED.

INSPECTION SYMBOLS

	CRITICAL
	AQL

UNLESS OTHERWISE SPECIFIED
DIMENSIONS ARE IN INCHES
TOLERANCES ARE:
FRACTIONS DECIMALS ANGLES
±1/32 .X ±.020 ±1°
.XX ±.010
.XXX ±.005
.XXXX ±.0005



GAUTHIER BIOMEDICAL, INC.
1235 NORTH DAKOTA DRIVE, SUITE G
GRAFTON, WI 53024
(262) 546-0010 ph. (262) 546-0011 fax
E-mail: engineering@gauthierbiomedical.com

MATERIAL	SEE DETAILS	APPROVALS	DATE
HEAT TREAT		DRAWN	SSL 1/6/06
FINISH		CHECKED	gaw 10/15/09
PASSIVATE		APPROVED	gaw 10/15/09
		DO NOT SCALE DRAWING	
		ANODIZE	

DESCRIPTION	PALM STYLE TORQUE WITH SMALL A-O ADAPTER	
SIZE	PART NUMBER	REV.
A	G172215__(cc)	A
SCALE 1:1	CAD FILE: G172215_(cc)	SHEET 1 OF 1