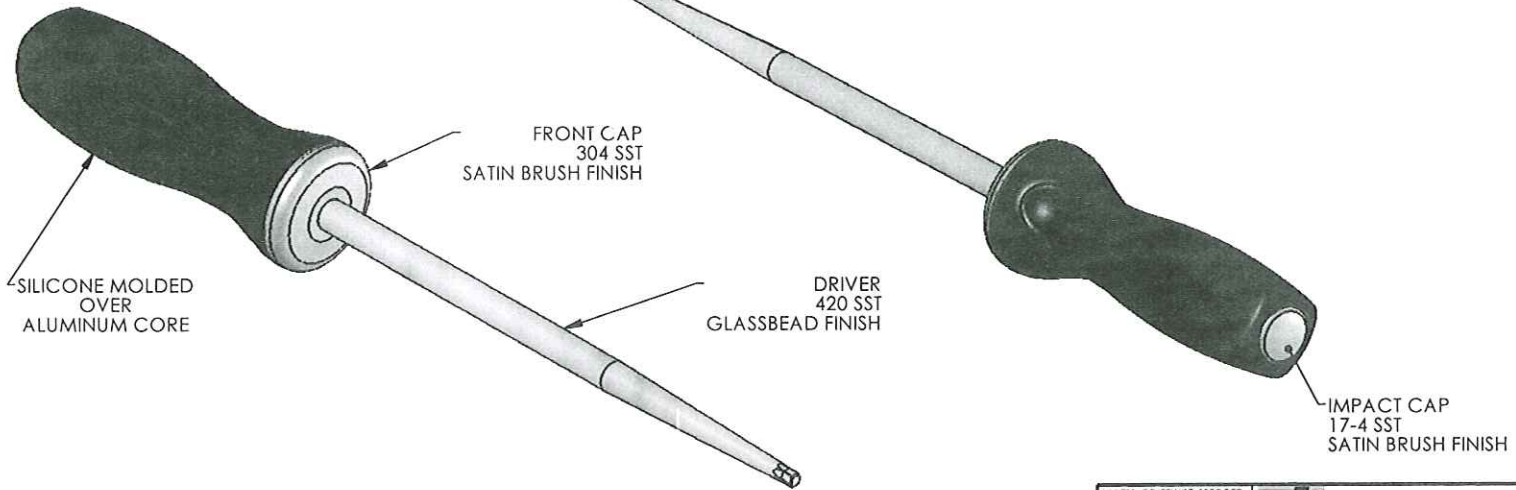
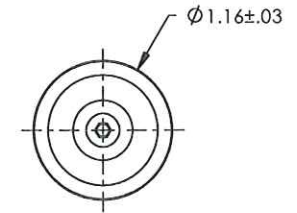
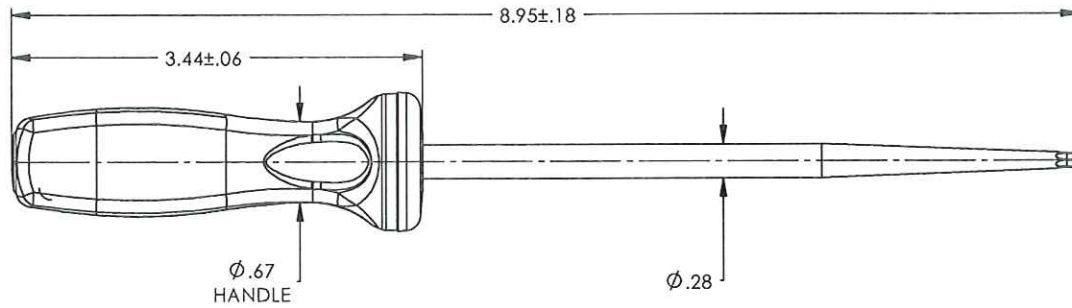


ILLUSTRATION DRAWING -- REFERENCE ONLY

REVISIONS			
REV.	DESCRIPTION	DATE	APPROVED



CUSTOMER APPROVAL
 APPROVED BY: _____
 DATE: _____

INSPECTION SYMBOLS
 ○ CRITICAL
 ○ AQL

UNLESS OTHERWISE SPECIFIED DIMENSIONS ARE IN INCHES. TOLERANCES ARE: FRACTIONS DECIMALS ANGLES 1/32 X ±.005 1° XXX ±.010 .XXXX ±.0005			GAUTHIER BIOMEDICAL, INC. 1235 North Dakota Drive, Suite G Grafton, WI 53024 (262) 544-0010 ph. (262) 544-0011 fax E-mail: engineering@gauthierbiomedical.com	
MATERIAL SEE DETAILS	APPROVALS		DATE	DESCRIPTION
HEAT TREAT	DRAWN RJB	6/4/08	GBI MINI 4-SIDED HANDLE, FIXED INSTRUMENTAL CTT DRIVER	
FINISH	CHECKED <i>MCA</i>	8/4/08		
PASSIVATE	APPROVED <i>MCA</i>	8/4/08	DO NOT SCALE DRAWING	
SCALE 0.75		CAD FILE G138989 (cc)	SHEET 1 OF 1	

THE INFORMATION CONTAINED IN THIS DRAWING IS THE SOLE PROPERTY OF GAUTHIER BIOMEDICAL, INC. ANY REPRODUCTION IN PART OR WHOLE WITHOUT THE WRITTEN PERMISSION OF GAUTHIER BIOMEDICAL, INC IS PROHIBITED.