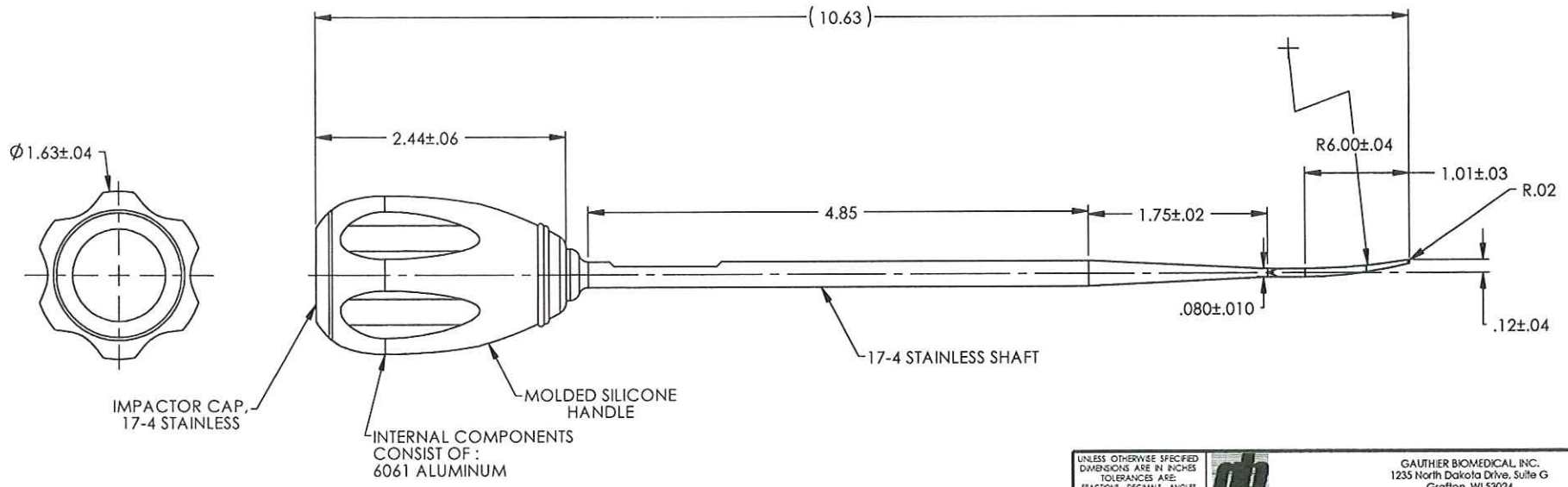
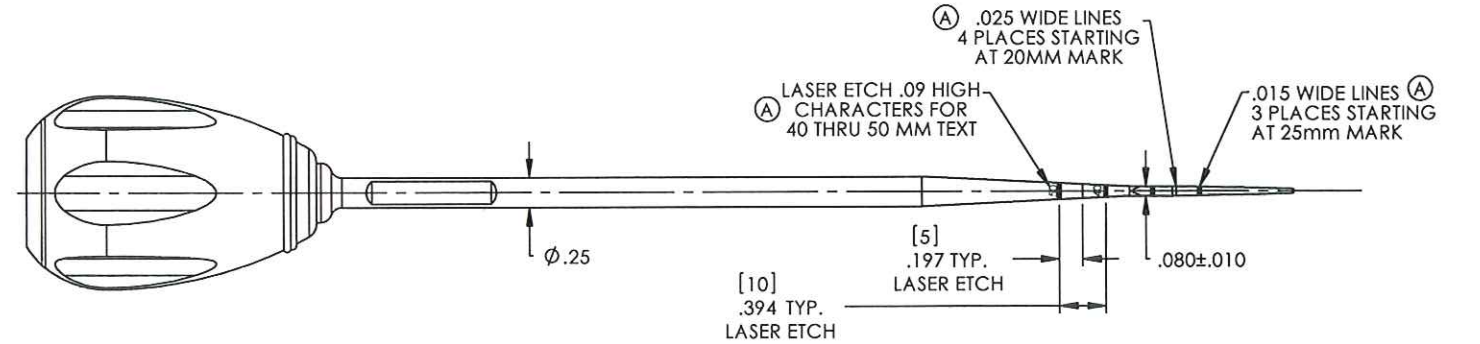


ILLUSTRATION DRAWING -- REFERENCE ONLY

REVISIONS			
REV	DESCRIPTION	DATE	APPROVED
A	ECN 7253	12/14/07	RJB



CUSTOMER APPROVAL

APPROVED BY: _____

DATE: _____

INSPECTION SYMBOLS

○ CRITICAL

○ AQL

UNLESS OTHERWISE SPECIFIED DIMENSIONS ARE IN INCHES TOLERANCES ARE: FRACTIONS DECIMALS ANGLES +1/32 .XX ±.010 .XXX ±.005 .XXXX ±.0005		<p>Gauthier Biomedical, Inc. 1235 North Dakota Drive, Suite G Greifon, WI 53024 (262) 546-0010 ph. (262) 546-0011 fax E-mail: engineering@gauthierbiomedical.com</p>
MATERIAL: SEE DETAILS	APPROVALS: DATE: 7/18/07	
HEAT TREAT: CHECKED: MCS 1/33/08	DESCRIPTION: PROBE, CURVED PEDICLE LENKE STYLE, CUSTOM LENGTH	THE PART NUMBER: G104114 (cc) REV: A SCALE: 1:1 CAD FILE: G104114 (cc) SHEET 1 OF 1
FINISH: APPROVED: MCS 1/33/08	DO NOT SCALE DRAWING	
PASSIVATE: ANODIZE		

THE INFORMATION CONTAINED IN THIS DRAWING IS THE SOLE PROPERTY OF GAUTHER BIOMEDICAL, INC. ANY REPRODUCTION IN PART OR WHOLE WITHOUT THE WRITTEN PERMISSION OF GAUTHER BIOMEDICAL, INC IS PROHIBITED.

T.S.C. REPRESENTS THEORETICAL SHARP CORNER