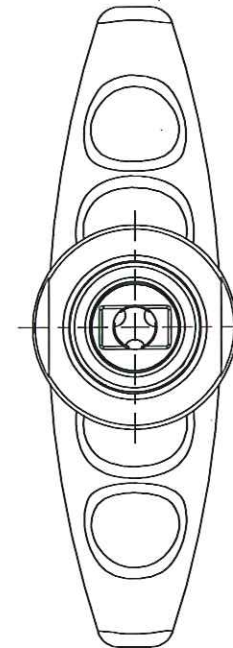
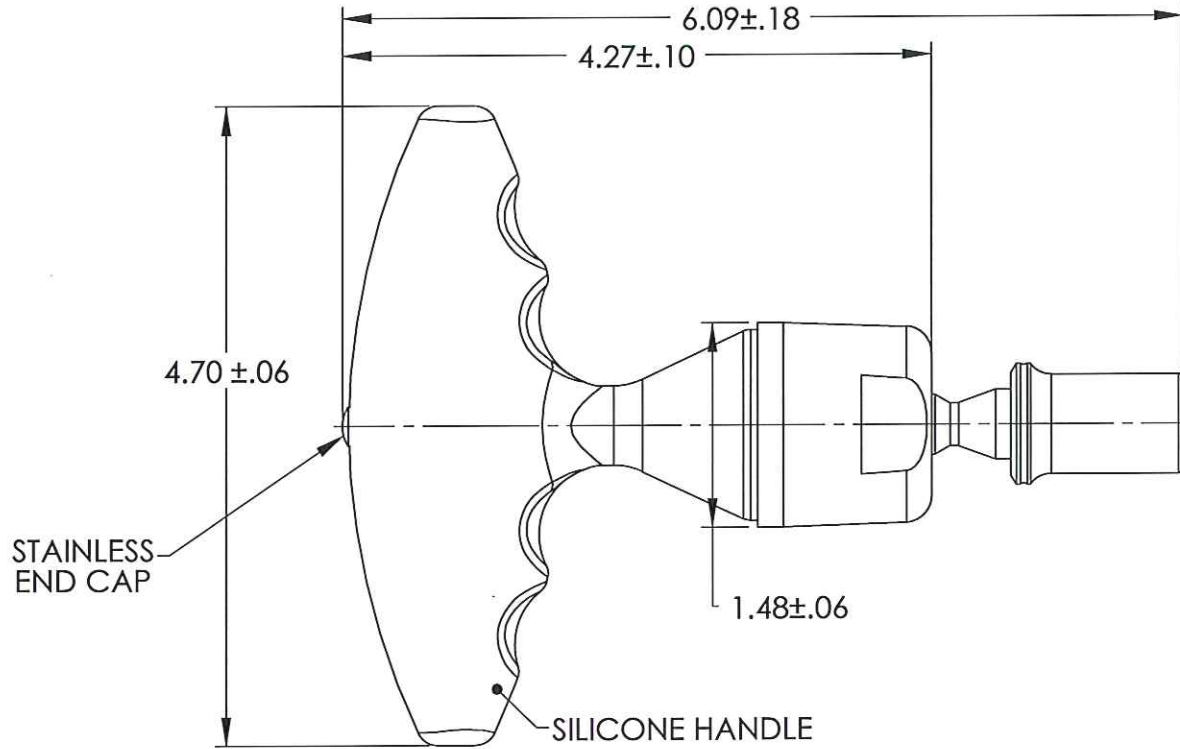


ILLUSTRATION DRAWING REFERENCE ONLY

REVISIONS			
REV.	DESCRIPTION	DATE	APPROVED
A	ECN 7026	2/15/07	MCS
B	ECN 7082	5/24/07	EJL
C	ECN 7173	8/22/07	RJB
D	ECN 8238	10/23/08	RJB



CUSTOMER APPROVAL

APPROVED BY: _____

DATE: _____

THE INFORMATION CONTAINED IN THIS DRAWING IS THE SOLE PROPERTY OF GAUTHIER BIOMEDICAL, INC., ANY REPRODUCTION IN PART OR WHOLE WITHOUT THE WRITTEN PERMISSION OF GAUTHIER BIOMEDICAL, INC. IS PROHIBITED.

INSPECTION SYMBOLS

-  CRITICAL
-  AQL

UNLESS OTHERWISE SPECIFIED DIMENSIONS ARE IN INCHES
TOLERANCES ARE:
FRACTIONS DECIMALS ANGLES
±1/32 .X ±.020 ±1°
.XX ±.010
.XXX ±.005
.XXXX ±.0005



Gauthier Biomedical Inc.

GAUTHIER BIOMEDICAL, INC.
1235 NORTH DAKOTA DRIVE, SUITE G
GRAFTON, WI 53024
(262) 546-0010 ph. (262) 546-0011 fax
E-mail: engineering@gauthierbiomedical.com

MATERIAL SEE DETAILS

APPROVALS DATE

DRAWN EJL 6/14/06

CHECKED *[Signature]* 10/23/08

APPROVED *[Signature]* 10/23/08

DO NOT SCALE DRAWING

PASSIVATE ANODIZE

DESCRIPTION
LARGE T-HANDLE TORQUE
LARGE HUDSON, NON-CANNULATED

SIZE PART NUMBER REV.
A G108260 (cc) D

SCALE 0.75:1 CAD FILE: G108260 (cc) SHEET 1 OF 1